



## GRAIN INTAKE PITS

PRECO offers different type and size grain intake pits - drive over pits, on floor hoppers, elevator gravity hoppers and custom solutions to suit various size farms and production sites.

### ON FLOOR HOPPER

#### ADVANTAGES

- Can be placed on any flat surface
- Suitable for various grain crops and productivity intensity
- Easy transporting and assembling
- Compatible with PRECO chain or flight conveyor
- Extendable (step - 1m)



### CUSTOM SOLUTIONS

Where it is not possible to place standard pits Preco offers custom solutions taking into account customer needs and requests.

### ELEVATOR GRAVITY HOPPERS

Gravity hopper can be mounted directly to the elevator. The elevator is equipped with flow regulator which prevents overloading to ensure smooth products' flow.

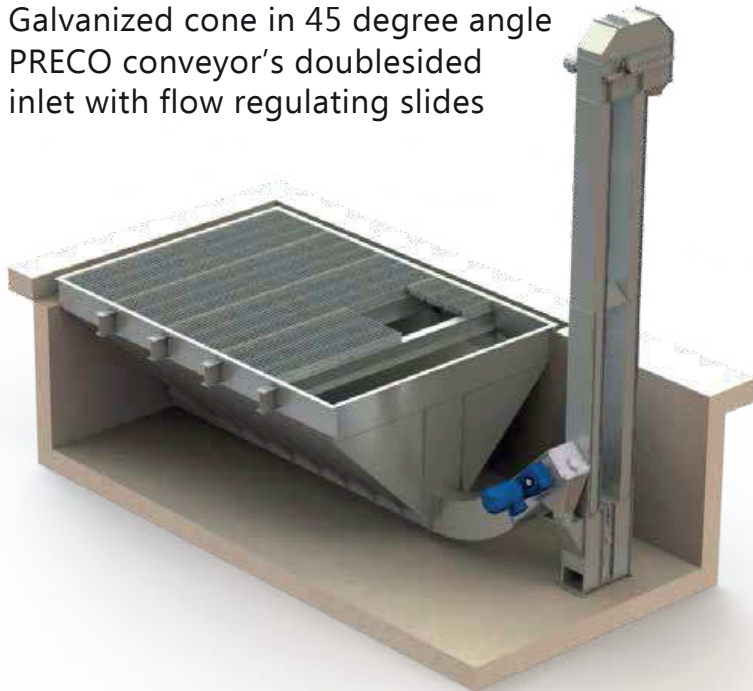




# GRAIN INTAKE PITS

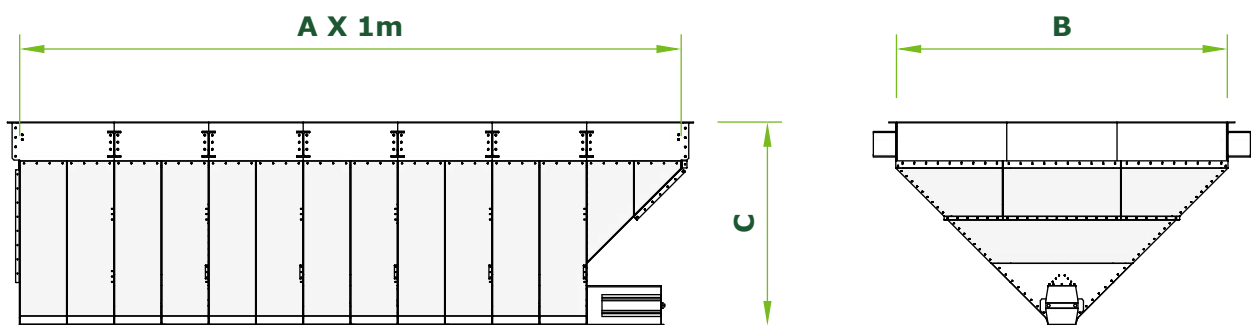
## STANDARD EQUIPMENT

- Welded and painted bolt together frame with H beams
- Welded and painted drive over grating
- Galvanized cone in 45 degree angle
- PRECO conveyor's doublesided inlet with flow regulating slides



## ACCESSORIES

- Vertical frame extension
- Level sensors – pressure or capacitive
- Floor lights with cover
- Dust management solutions
- Vibro-motors



Width, m (B)	Height, m (C)	Lenght, m (A)												
		3.0 m	3.5 m	4.0 m	4.5 m	5.0 m	5.5 m	6.0 m	7.0 m	8.0 m	9.0 m	10.0 m	11.0 m	12.0 m
		Volume, m <sup>3</sup>												
2.5 m	1,6 m	7.1 m <sup>3</sup>	8.2 m <sup>3</sup>	9.4 m <sup>3</sup>	10.6 m <sup>3</sup>	11.8 m <sup>3</sup>	12.9 m <sup>3</sup>	14.1 m <sup>3</sup>	16.5 m <sup>3</sup>	18.8 m <sup>3</sup>	21.2 m <sup>3</sup>	23.5 m <sup>3</sup>	25.9 m <sup>3</sup>	28.2 m <sup>3</sup>
3.0 m	1,9 m	9.6 m <sup>3</sup>	11.2 m <sup>3</sup>	12.8 m <sup>3</sup>	14.4 m <sup>3</sup>	16.0 m <sup>3</sup>	17.5 m <sup>3</sup>	19.1 m <sup>3</sup>	22.3 m <sup>3</sup>	25.5 m <sup>3</sup>	28.7 m <sup>3</sup>	31.9 m <sup>3</sup>	35.1 m <sup>3</sup>	38.3 m <sup>3</sup>
3.5 m	2,2 m	12.8 m <sup>3</sup>	14.9 m <sup>3</sup>	17.0 m <sup>3</sup>	19.2 m <sup>3</sup>	21.3 m <sup>3</sup>	23.4 m <sup>3</sup>	25.6 m <sup>3</sup>	29.8 m <sup>3</sup>	34.1 m <sup>3</sup>	38.3 m <sup>3</sup>	42.6 m <sup>3</sup>	46.9 m <sup>3</sup>	51.1 m <sup>3</sup>
4.0 m	2,5 m	17.0 m <sup>3</sup>	19.8 m <sup>3</sup>	22.6 m <sup>3</sup>	25.4 m <sup>3</sup>	28.3 m <sup>3</sup>	31.1 m <sup>3</sup>	33.9 m <sup>3</sup>	39.6 m <sup>3</sup>	45.2 m <sup>3</sup>	50.9 m <sup>3</sup>	56.5 m <sup>3</sup>	62.2 m <sup>3</sup>	67.8 m <sup>3</sup>
4.4 m	2,7 m	20.0 m <sup>3</sup>	23.3 m <sup>3</sup>	26.7 m <sup>3</sup>	30.0 m <sup>3</sup>	33.4 m <sup>3</sup>	36.7 m <sup>3</sup>	40.0 m <sup>3</sup>	46.7 m <sup>3</sup>	53.4 m <sup>3</sup>	60.0 m <sup>3</sup>	66.7 m <sup>3</sup>	73.4 m <sup>3</sup>	80.0 m <sup>3</sup>